

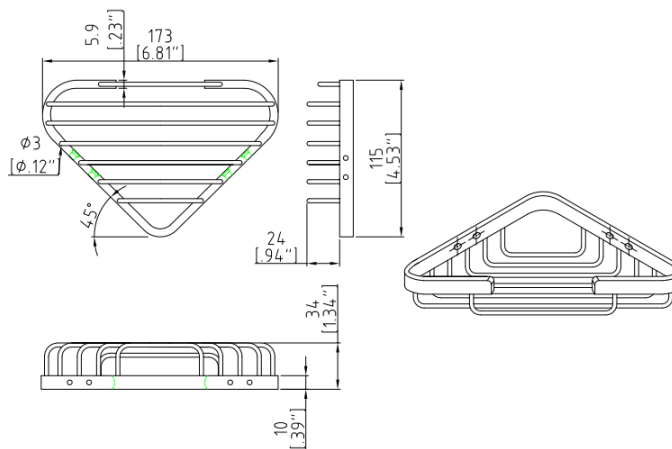
Soap Holder

PRODUCT SPECIFICATIONS

- Dimension : 173 (L) x 115 (W) x 34 (H) mm
- Material : Stainless Steel 304



TECHNICAL DRAWING



Copyright © Rigel Technology (S) Pte Ltd. All rights reserved. Terms of Use.